

PRODUCT INFORMATION

PRODUCT: Toptec 2500E

EQUIPMENT CODE: TT25 – 5 & 6

Recently introduced to the Kiln Services fleet are two Toptec 2500E's. This model of demolition robot is extremely powerful, fitted with an 18.5 KW motor enables the mounting of large rock breakers that outclass other machines of similar size.

With the Toptec's enormous power, over head refractories (dense monolithic) are easily demolished. Full movements of all cylinders in any position make the Toptec a more efficient machine for all types of refractory break out.

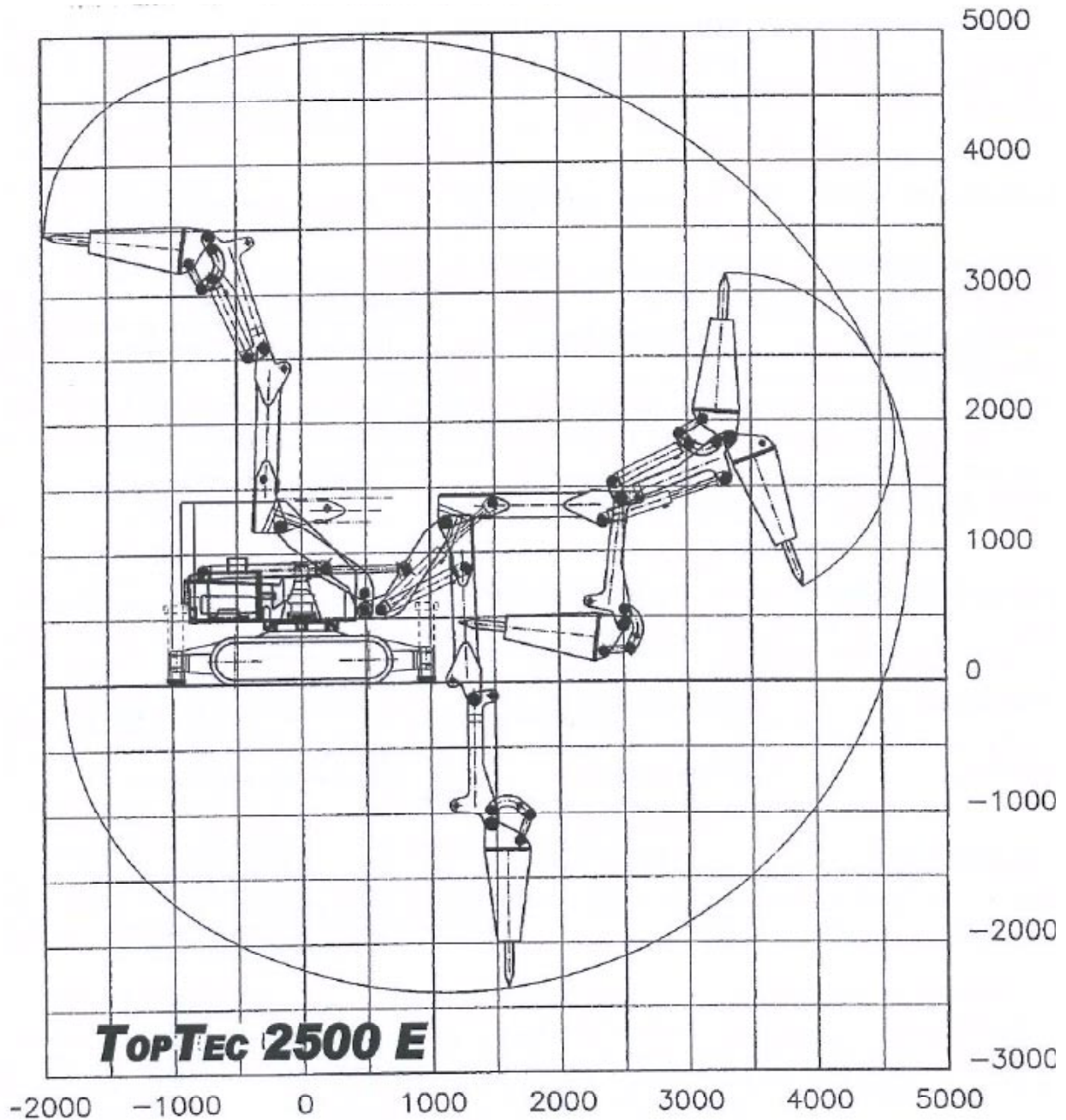
Keeping with our goal of reducing all manual demolition, the Toptec 2500E is a fully remote controlled machine. As with all our robots the Toptec's have a purpose modified sea container fitted out with all required spare part and tools to carry out day to day maintenance. These sea containers are easily transported across Australia.



Toptec 2500 E - Specifications

Height	1450mm
Width – Machine	780mm
Track Width – Min	780mm
Track Width – Max	1250mm
Power requirement	63amp 3 Phase Power
Generator Size	100Kva Minimum
Tracks	Steel – 200mm wide
Hammer	Atlas Copco 410 (SBC 200)
Weight with Attachment	2900kg
Max. Gradient	35°

Toptec 2500E - Reach Diagram



KILN SERVICES

AUSTRALIA PTY LTD
ABN 13 100 104 818



For more information or quotation on a demolition project please contact Ben Burchill.

ROBOTIC REFRACTORY REMOVAL REDUCES RISK

115 BROADWAY
BASSENDEAN WA 6054
PH: (08) 9377 1242
FX: (08) 9279 5163
ABN: 13 100 104 818