

PRODUCT INFORMATION

PRODUCT: Brokk 90 **EQUIPMENT CODE:** BM90 - 4

The BM90-4 is a very powerful compact demolition robot. The machine is ideal for most situation where historically men and jackhammers where used. The BM 90-4 can reduce manual handling risk as well as increase productivity.

The BM90-4 is easily transported locally on a custom built tandem trailer, fully equipped with all necessary tools and spare parts to carry out simple day to day maintenance to unforeseen breakdowns. For remote projects, a purpose built container has been manufactured, again housing all necessary equipment to ensure undisrupted projects are achieved.

The machine has an 11kW motor, and requires only a 32amp outlet to be powered up; spare adapters for various site points are carried, reducing the requirement for onsite plug changes.

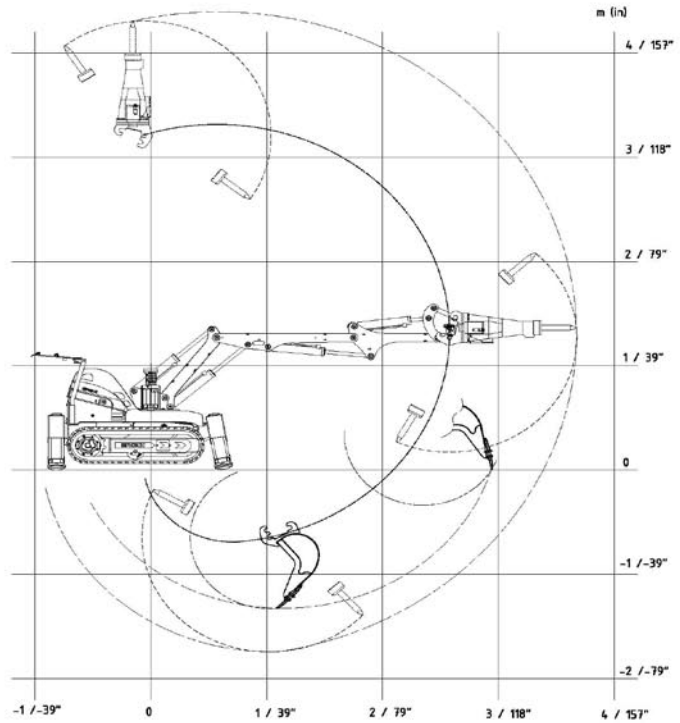
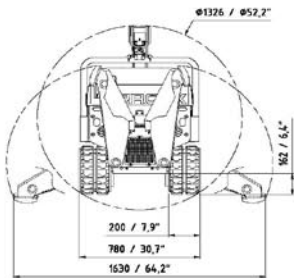
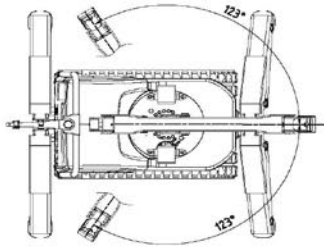
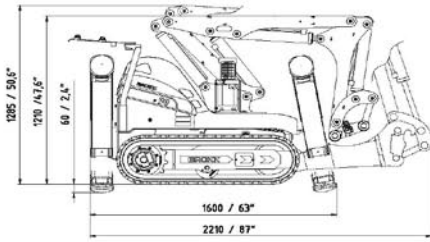
BM90 – 4 Specifications

Height	1210mm
Width	780mm
Length	2210mm
Weight	1180kg
Power required	32amp 3 phase
Tracks	Steel or Rubber



KILN SERVICES

AUSTRALIA PTY LTD
ABN 13 100 104 818



ROBOTIC REFRACTORY REMOVAL REDUCES RISK

115 BROADWAY
BASSENDEAN WA 6054
PH: (08) 9377 1242
FX: (08) 9279 5163
ABN: 13 100 104 818