



AUSTRALIA PTY LTD
ABN 13 100 104 818

PRODUCT INFORMATION

PRODUCT: Brokk 330 **EQUIPMENT CODE:** BM330 - 3

The Brokk 330 is the largest in Kiln Services Australia fleet. Weighing in at 4.1t it has the equivalent hitting power of an excavator three times its size. Most suited to kiln sizes 4.5 meters and above, the Brokk 330 makes light work of all types of refractory and other materials.

With its huge ability to reach up to 7m with a standard moil it can also descale vertical shafts. Longer moil lengths are available to extend its reach up to nine meters. This makes it ideal for digging around metal skulls in ladles of descaling materials at great heights.

Kiln Services Australia have designed and manufactured a hydraulic platform for the Brokk 330 so that it can demolish vertical shafts with the assistance of a crane. Once fitted to the "Y Frame", its demolition capability is realised. Vessels of 14m diameter are no hassles for the Brokk 330 Y Frame combination. The only limitation is the length of cable on the crane.

With remote operation enabled, the operator is removed from any danger zone and can be positioned a safe distance from the work face. Remote operation also eliminates HAVS, Hand arm vibration syndrome.

With its outriggers capable of being individually moved and self-leveling, the Brokk 330 is stable on all surfaces.

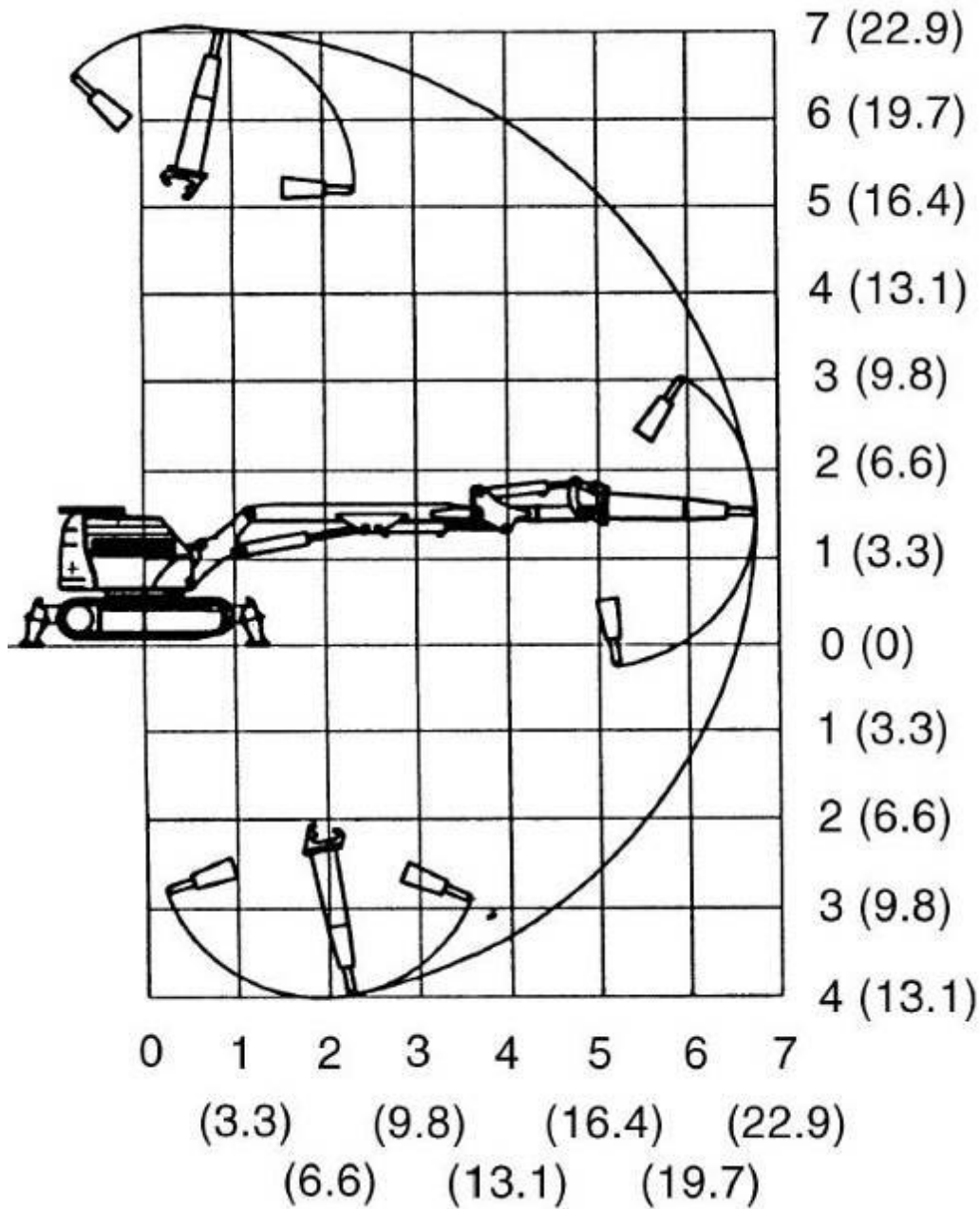
Fitting the Brokk 330 with high temperature hoses enables it to access even the most hostile environments, again without compromising safety.

"Safety comes first with Kiln Services Australia."

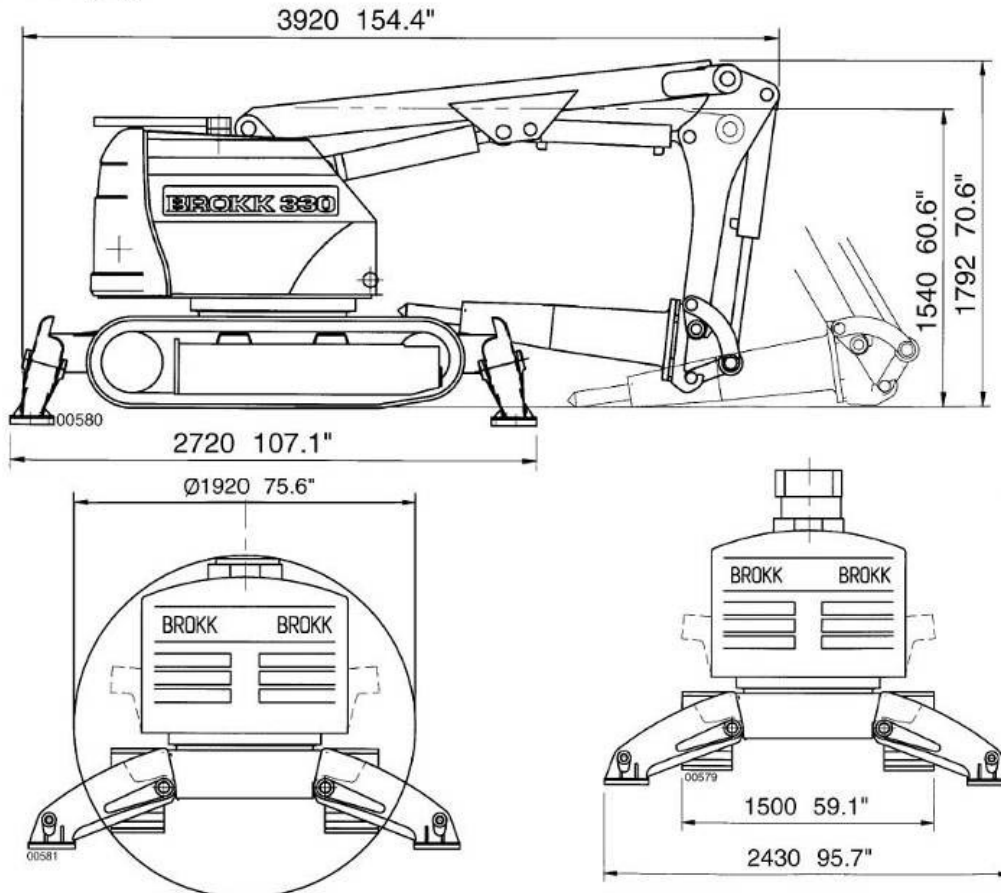
ROBOTIC REFRACTORY REMOVAL REDUCES RISK

115 BROADWAY
BASSENDEAN WA 6054
PH: (08) 9377 1242
FX: (08) 9279 5163
ABN: 13 100 104 818

Brokk 330 – Reach Capacity



Brokk 330 - Dimensions



Y Frame



BM330 - 3

