

PRODUCT INFORMATION

PRODUCT: Brokk 180 **EQUIPMENT CODE:** BM180 - 10

The BM180 - 10 is the ultimate in the medium sized robotic demolition machines. Fitted with an 410 Joule breaker, it has no trouble with any type of refractory materials. Its reach capacity is unsurpassed for a machine of its size.

As with all Kiln Services Australia's machine it is transported to site in its own mobile workshop fitted out with spare parts and a large inventory of tools to carry out any repair ensuring little to no down time or delays.

The machine has an 18.5kW motor, and requires only a 63amp outlet to be powered up; spare adapters for various site points are carried, reducing the requirement for onsite plug changes.

BM180 – 10 Specifications

Height	1391mm
Width	1103mm
Length	2531mm
Weight	2200kg
Power required	63amp 3 phase
Tracks	Steel or Rubber

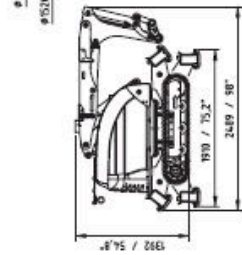
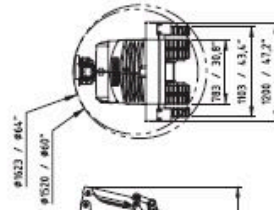
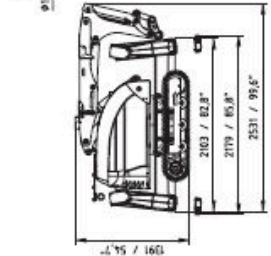
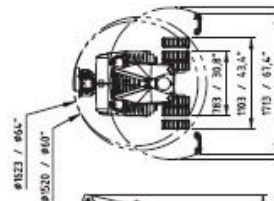
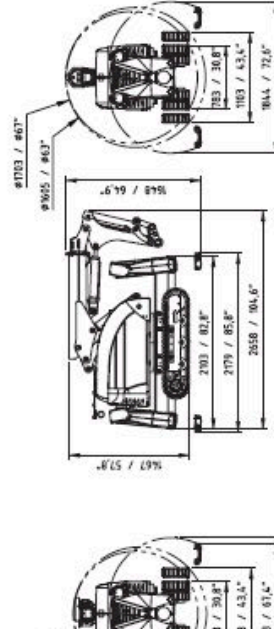
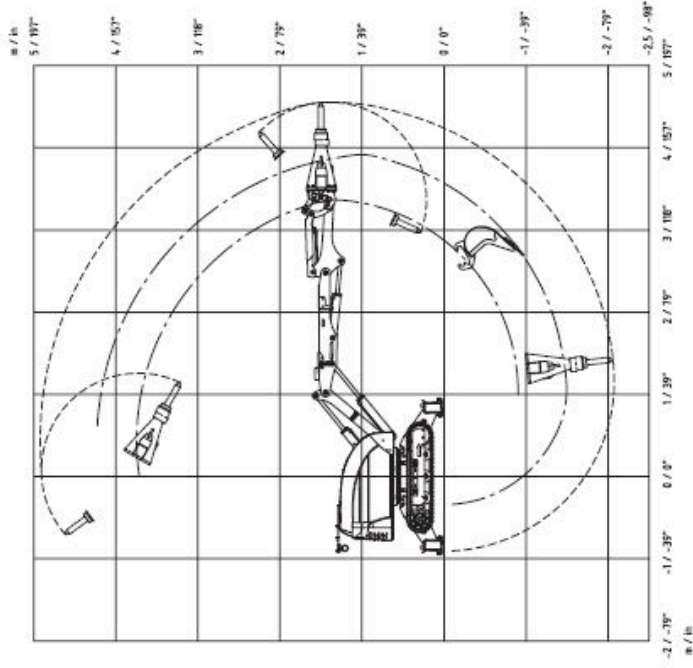
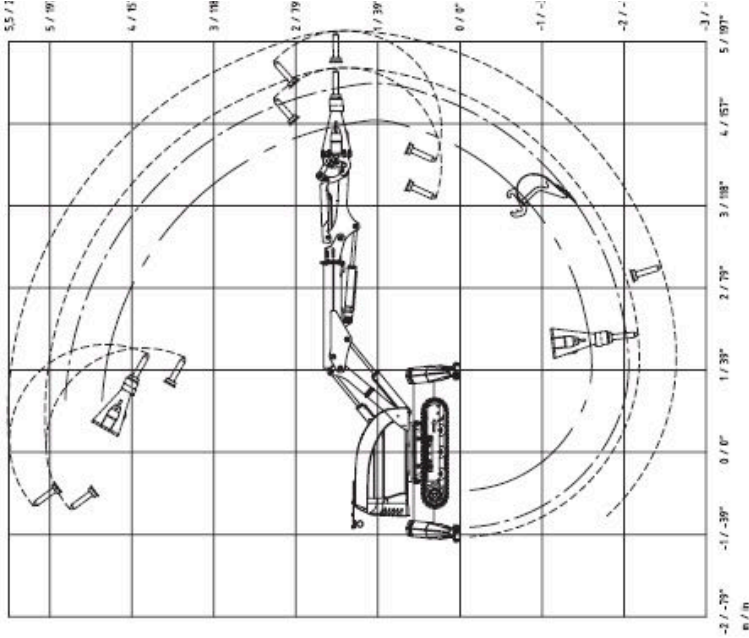


ROBOTIC REFRACTORY REMOVAL REDUCES RISK

115 BROADWAY
BASSENDEAN WA 6054
PH: (08) 9377 1242
FX: (08) 9279 5163
ABN: 13 100 104 818



AUSTRALIA PTY LTD



BASSEDEAN WA 6054

PH: (08) 9377 1242

Fx: (08) 9279 5163

ABN: 13 100 104 818

ROBOTIC REFRACTORY REMOVAL REDUCES RISK