



AUSTRALIA PTY LTD
ABN 13 100 104 818

PRODUCT INFORMATION

PRODUCT: Brokk 150 **EQUIPMENT CODE:** BM150 -1 & 2

The mid size robot in the fleet, the Brokk 150 is suitable for all demolition projects. Its size, and again an unchallenged hitting power, makes it ideal for any type of material required to be demolished.

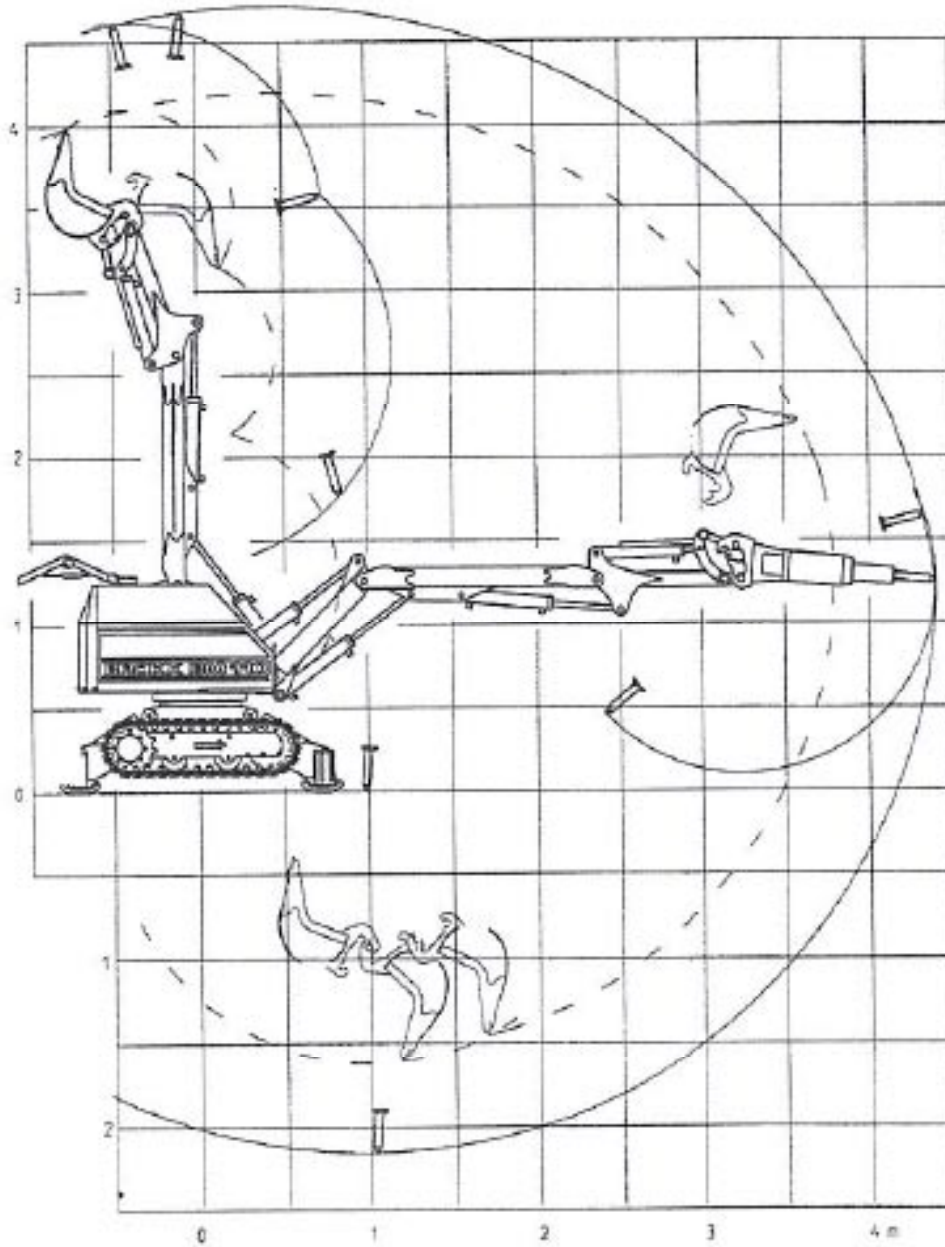
As with all Brokk machines the 150 is remote controlled making it ideal for those hazardous situations where falling refractory is a high risk. The Brokk 150 can get into places no other machines can. It can out perform men on jack hammers ten to one with injury risks eliminated.

Like the Brokk 330, the 150 can be operated totally remotely, or for greater control, on a cable when interference is expected. It comes to site equipped with a full inventory of spares and accessories to enable quick efficient demolition projects.

The track width of the 150 can be reduced to just under 800mm making even the tightest places accessible. As with all tracked equipment the Brokk 150 can drive over almost anything to get to a demolition job.

The Brokk 150 is extremely versatile also due to its physical weight. At only 1.8t it can access almost all types of flooring systems ensuring no additional reinforcing is required to existing structures.

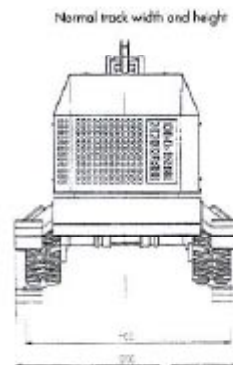
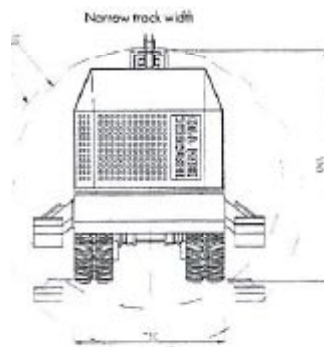
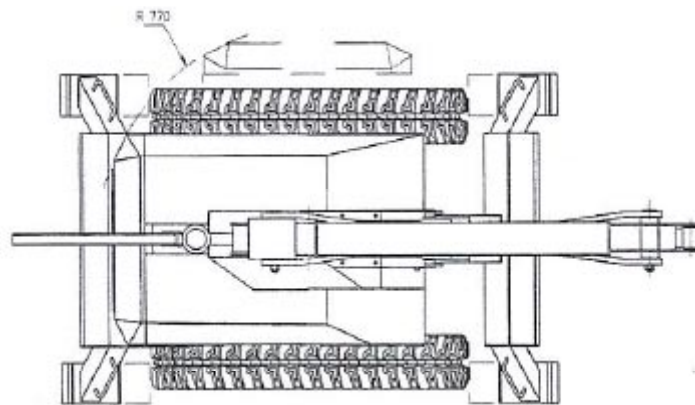
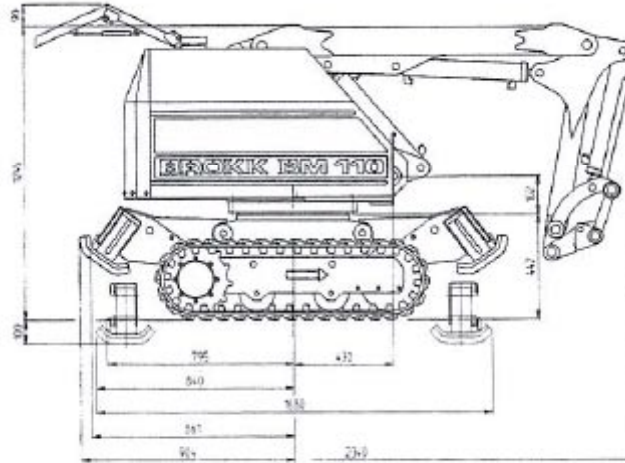
“Safety comes first with Kiln Services Australia.”
Brokk 150 – Reach Capacity



Brokk 150 – Typical Dimensions

KILN SERVICES

AUSTRALIA PTY LTD
ABN 13 100 104 818



KILN SERVICES

AUSTRALIA PTY LTD
ABN 13 100 104 818



Brokk 150 in Action



Brokk 150 with Y Frame